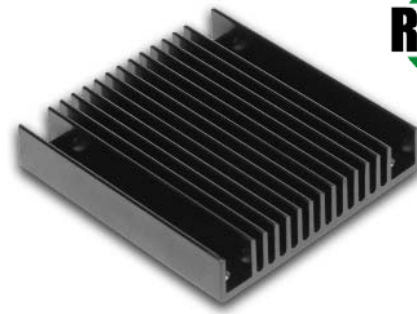
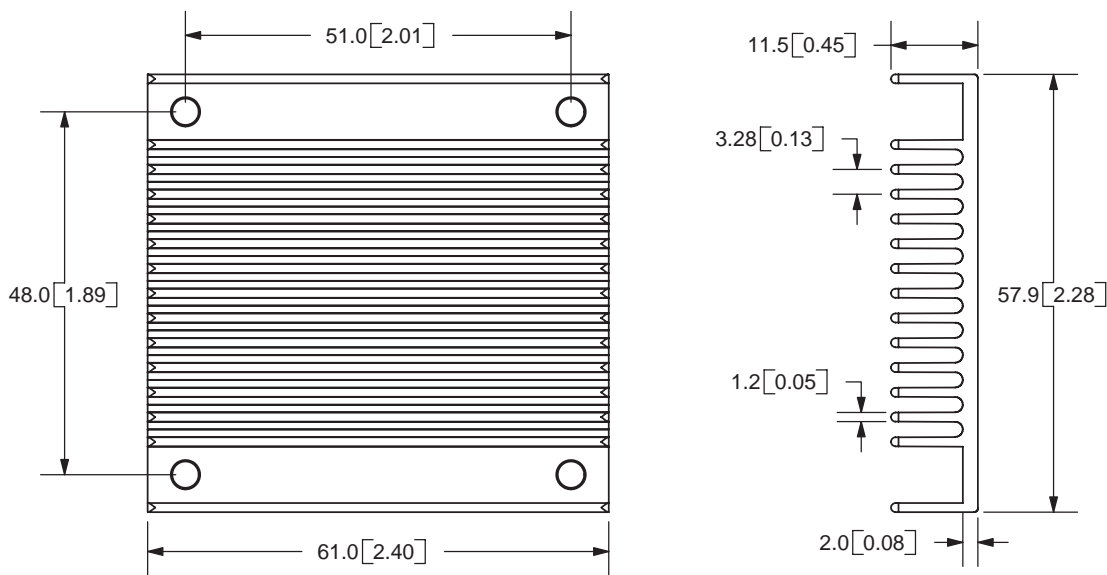


Features

- Designed for half-brick converters
- Keeps converters cool with natural convection or forced air
- Includes mounting screws and washers
- Black anodized finish


Mechanical Data


Weight: xxxoz (xxg) net
 Mounting Hardware: 4x M3 x 12mm screw included, washer

Thermal Data
